

LINEAR HIGH BAY LIGHTS



PRODUCT FEATURES:

1000LED Linear High / Low Bay Lighting series. With its slim design, the LHB is the perfect LED replacement for T5 and T8 fluorescent high bays. The LHB delivers efficient, uniform, high lumen output for high and low bay applications in industrial, retail and commercial interiors. This energy-efficient fixture features high-performance optics which deliver clear or whiter, brighter light while using significantly less energy when compared to traditional high bay lighting.

MODEL #	
PROJECT:	
NOTES:	
DATE:	
PREPARED BY:	

Additional Information:

- Power: 200W
- Input: AC 120-277V
- CCT : 5000K
- Output: 26200 LM
- Light Source: LUMILEDS
- Driver: SOSEN POWER

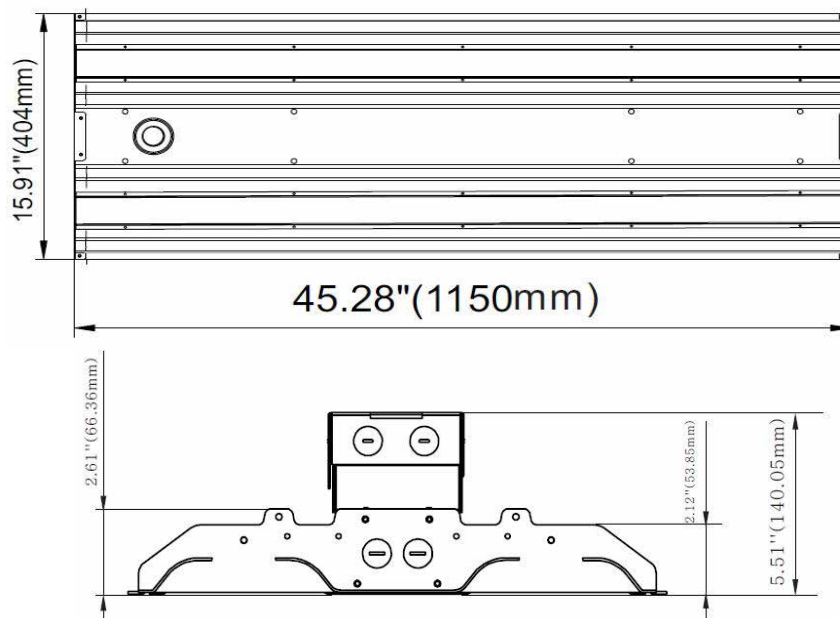
Structure Features:

- Shell Material: Aluminum/PC
- Color: White
- Weight: 20.9 lbs.



PRODUCT APPLICATIONS:

The 1000LED Linear High Bay LED Lighting Series can be widely used in Warehouses, Industrial Areas, Gymnasiums, Stadiums, Exhibition Halls, Workshops, Manufacturing Facilities, Distribution Centers, Storage Areas, Grocery Stores, High Bay Garages and Big Box Retailers

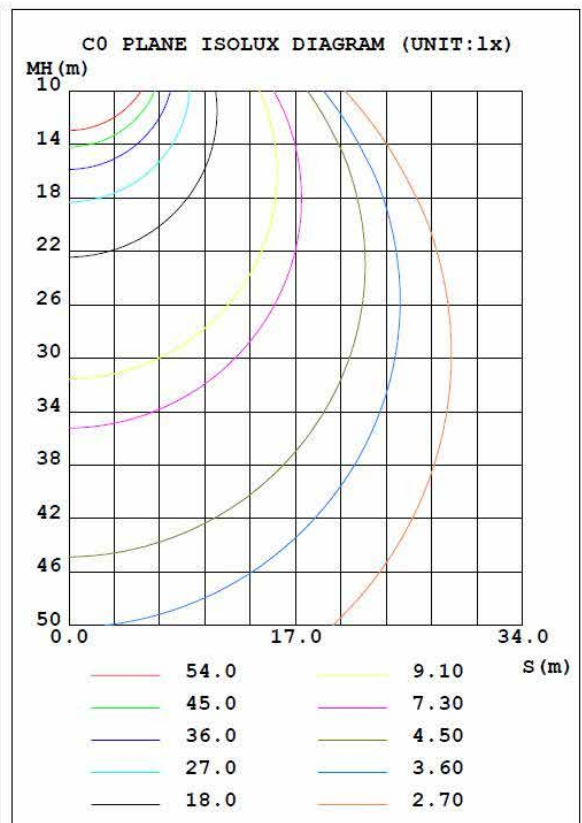
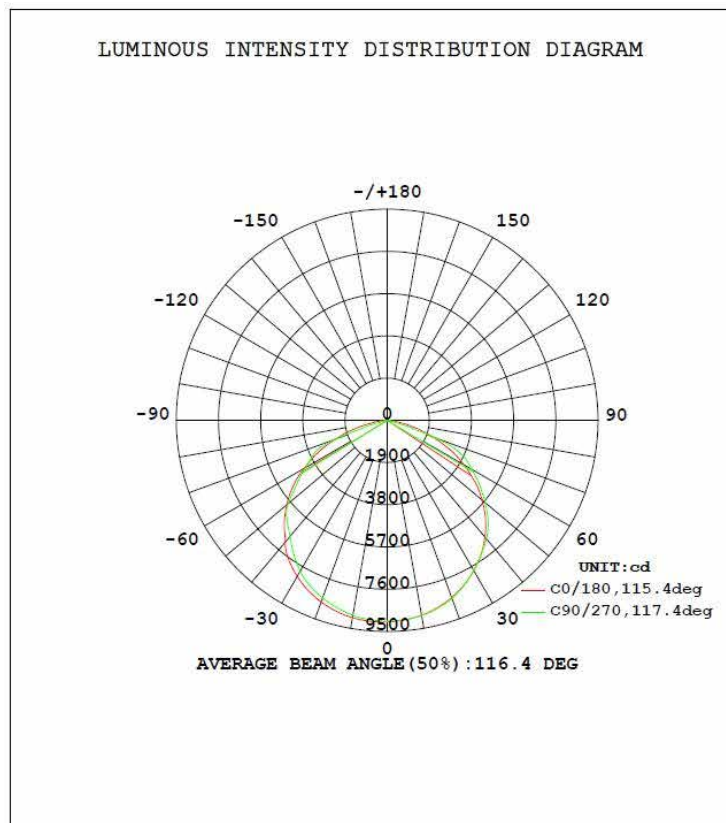


LINEAR HIGH BAY LIGHTS

TECHNICAL PARAMETERS:

Type	1L-4FLHB20W27-XXK-Y - Z		
Power	200W	Frequency Range	50/60Hz
Luminous Flux	19500 LM	CRI	Ra>80
Lum Efficiency	>130LM/W	Beam Angle	>115°
LED Chip Brand	Philips	Working Temperature	-30 - +45°C
Power Factor	>98%	Storage Temperature	-40 - +80°C
LED Driver	SOSEN	Color Temperature	4000K/5000K/5700K ±500K
Net Weight	20.9 LBS	Warranty	5 YEARS

IRRADIATION AREA: Photometry & Illuminance



LINEAR HIGH BAY LIGHTS

ORDERING INFORMATION:

EXAMPLE: 1L-4FLHB 20W 27-50K-C-M

1L	CP	15W	27	50K	C	M
Company	Product	Power	Voltage	ColorTemp	Cover	Control
1000LED	4FLHB Linear High Bay	10W (100W) 15W (150W)	27 AC120-277V	30K (3000K) 40K (4000K) 50K (5000K) 57K (5700K) ± 500K	C Clear Cover F Frosted Cover	10V Dimming 1-10V M Motion Sensor

PRODUCT CERTIFICATIONS:

