

LED WALL PACK LIGHT



PRODUCT FEATURES:

- ❖ LUMILEDS LED, high luminous efficiency and long working life.
- ❖ High efficiency LED Driver, the wide range input voltage AC120-277V ;
- ❖ Cast alloy design, better cooling, light quality, LED Tj < 85°C.
- ❖ Optical design, greatly improved the light utilization and evenness

❖ PHOTOCELL CONTROL

Additional Information:

- Power: 20W
- Input: AC 120-277V
- CCT : 5000K
- Output: 2450 LM
- Light Source: LUMILEDS
- Driver: OWN

Structure Features:

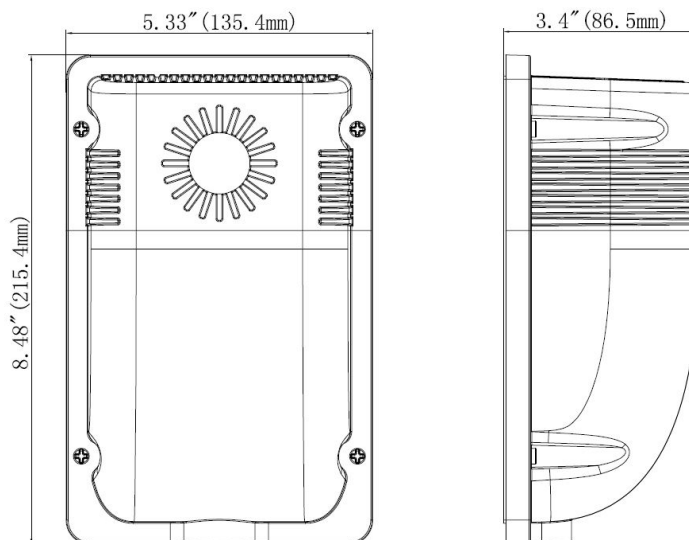
- Shell Material: Alloy & PC
- Color: Black
- Weight: 3.3 lbs.



MODEL #	
PROJECT:	
NOTES:	
DATE:	
PREPARED BY:	

PRODUCT APPLICATIONS:

The 1000LED LED WALL PACK Lighting Series can be widely used in Pedestrian Walkways, Parking Garages, Public Areas, Schools, Hospitals, Hotels and Outdoor Walkways

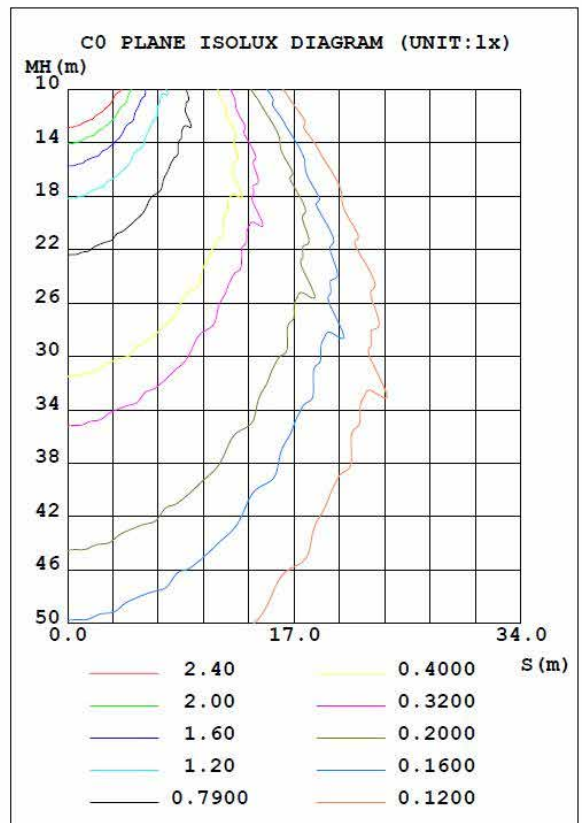
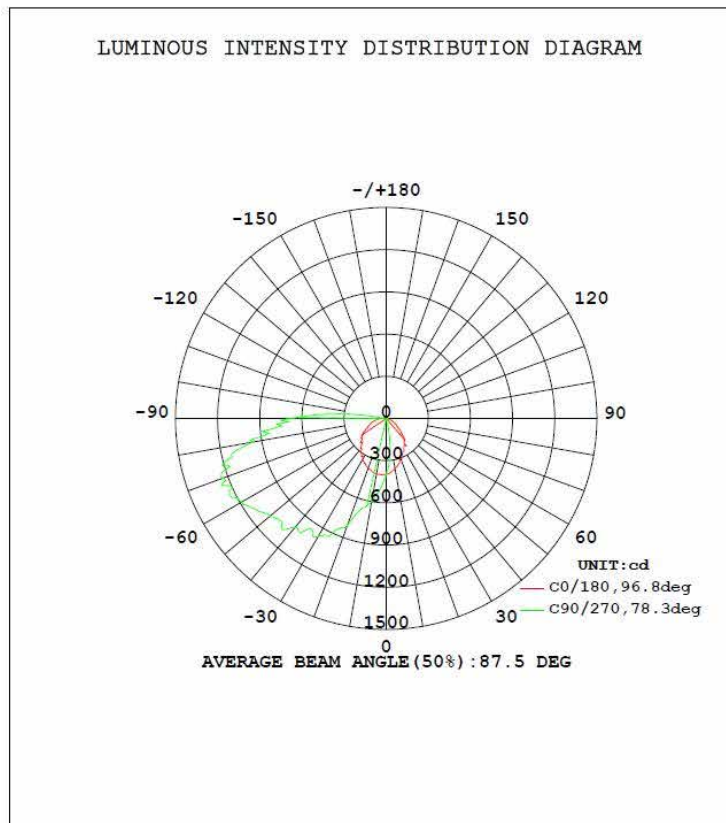


LED WALL PACK LIGHT

TECHNICAL PARAMETERS:

Type	1L-WP02W27-50K-P		
Power	20W	Lighting Angle	80° *100°
Input Voltage	AC120-277V	LED Brightness Decay	<5%/6000 hrs
PF	>0.95	Working Life	>50000 hrs
Driver Efficiency	>90%	Working Temperature	-30 - +45°C
Luminous Flux	2450 Lm	Storage Temperature	-40 - +80°C
Turn-on Light Level	10-20 LUX	Turn-off Light Level	30-60 LUX
CRI	Ra>80	Cable	3 core, 18AWG (0.5m)
COLOR TEMP	4000K/5000K	PROTECTION LEVEL	Wet Location/IP65
ACTION TIME	5-20 SEC	ELECTRICAL LIFE	>5000 Cycles

LIGHT DISTRIBUTION CURVE: (Clear Lens)



LED WALL PACK LIGHT

ORDERING INFORMATION:

EXAMPLE: **1L-WP 02W 27-50K-P**

1L	GWP	02W	27	50K	P
Company	Product	Power	Voltage	ColorTemp	Control
1000LED	WP Wall Pack	02W (20W)	27 AC120-277V	30K (3000K) 40K (4000K) 50K (5000K) 57K (5700K) ± 500K	P 120-277V PHOTOCELL

PRODUCT CERTIFICATIONS:

