

## LINEAR HIGH BAY LIGHTS



### PRODUCT FEATURES:

1000LED Linear High / Low Bay Lighting series. With its slim design, the LHB is the perfect LED replacement for T5 and T8 fluorescent high bays. The LHB delivers efficient, uniform, high lumen output for high and low bay applications in industrial, retail and commercial interiors. This energy-efficient fixture features high-performance optics which deliver clear or whiter, brighter light while using significantly less energy when compared to traditional high bay lighting.

MODEL #	
PROJECT:	
NOTES:	
DATE:	
PREPARED BY:	

### Additional Information:

- Power: 300W
- Input: AC 120-277V
- CCT : 5000K
- Output: 38500 LM
- Light Source: LUMILEDS
- Driver: SOSEN POWER

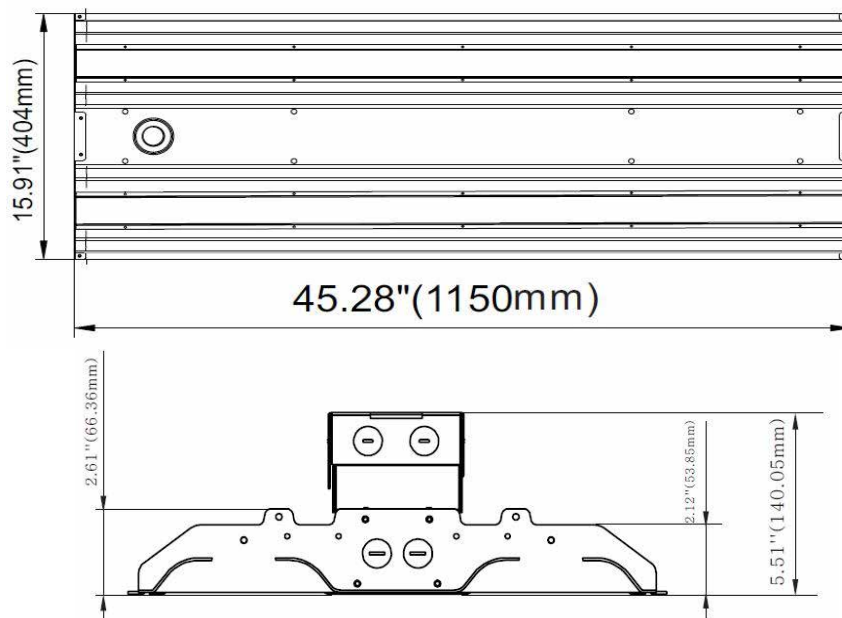
### Structure Features:

- Shell Material: Aluminum/PC
- Color: White
- Weight: 22 lbs.



### PRODUCT APPLICATIONS:

The 1000LED Linear High Bay LED Lighting Series can be widely used in Warehouses, Industrial Areas, Gymnasiums, Stadiums, Exhibition Halls, Workshops, Manufacturing Facilities, Distribution Centers, Storage Areas, Grocery Stores, High Bay Garages and Big Box Retailers

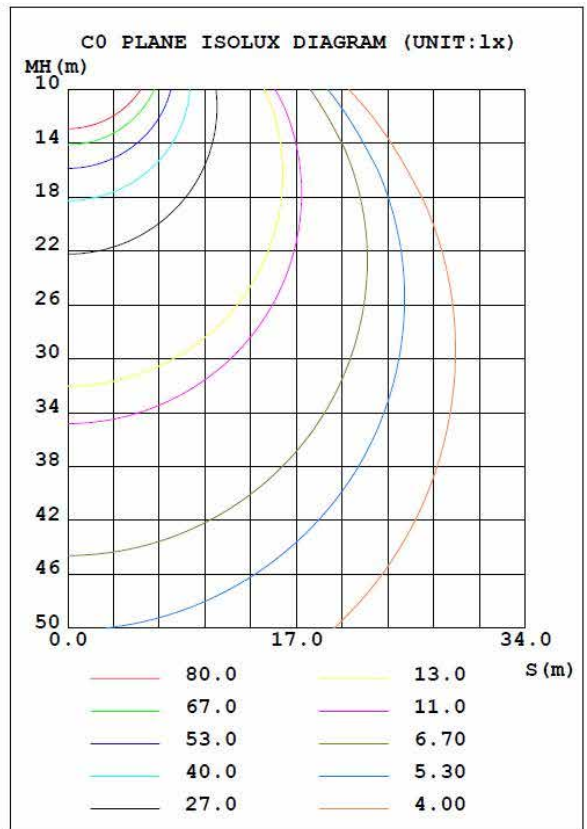
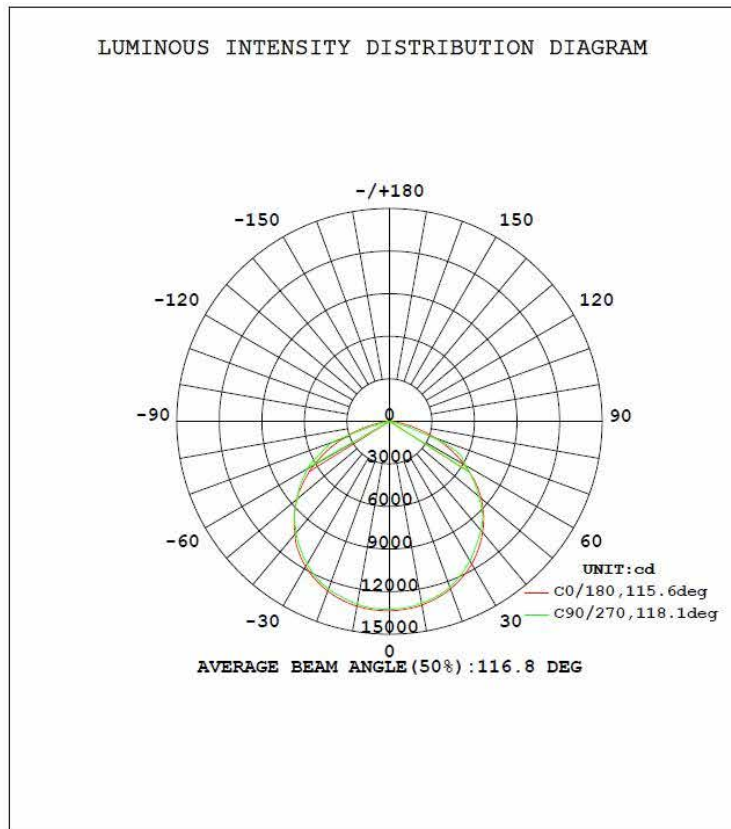


## LINEAR HIGH BAY LIGHTS

### TECHNICAL PARAMETERS:

Type	WSD-4FLHB30W27-XXK-Y - Z		
Power	300W	Frequency Range	50/60Hz
Luminous Flux	38500 LM	CRI	Ra>80
Lum Efficiency	>127LM/W	Beam Angle	>115°
LED Chip Brand	Philips	Working Temperature	-30 - +45°C
Power Factor	>98%	Storage Temperature	-40 -+80°C
LED Driver	SOSEN	Color Temperature	4000K/5000K/5700K ±500K
Net Weight	22 LBS	Warranty	5 YEARS

### IRRADIATION AREA: Photometry & Illuminance



# 1000LED<sup>®</sup>

# 300W

## LINEAR HIGH BAY LIGHTS

### ORDERING INFORMATION:

EXAMPLE: WSD-4FLHB 30W 27-50K-C-M

WSD	CP	30W	27	50K	C	M
Company	Product	Power	Voltage	ColorTemp	Cover	Control
<b>WISDOM</b>	<b>4FLHB</b> Linear High Bay	<b>15W</b> (150W) <b>20W</b> (200W) <b>30W</b> (300W)	<b>27</b> AC120-277V	<b>30K</b> (3000K) <b>40K</b> (4000K) <b>50K</b> (5000K) <b>57K</b> (5700K) <b>± 500K</b>	<b>C</b> Clear Cover <b>F</b> Frosted Cover	<b>10V</b> Dimming 1-10V <b>M</b> Motion Sensor

### PRODUCT CERTIFICATIONS:



1000LED INC.

Email: [info@1000LED.com](mailto:info@1000LED.com)

Website: [www.1000LED.com](http://www.1000LED.com)

Toll-free: (877) 340-1700