

LED CANOPY LIGHT



PRODUCT FEATURES:

- ❖ LUMILEDS LED, high luminous efficiency and long working life.
- ❖ High efficiency LED Driver, wide range input voltage AC120-277V;
- ❖ Die-cast alloy design, better cooling, light quality, LED Tj < 85°C.
- ❖ Optical design, greatly improved the light utilization and evenness

❖ Motion Sensor (Optional)

Additional Information:

- Power: 45W
- Input: AC 120-277V
- CCT : 5000K
- Output: 5300 LM
- Light Source: LUMILEDS
- Driver: OWN

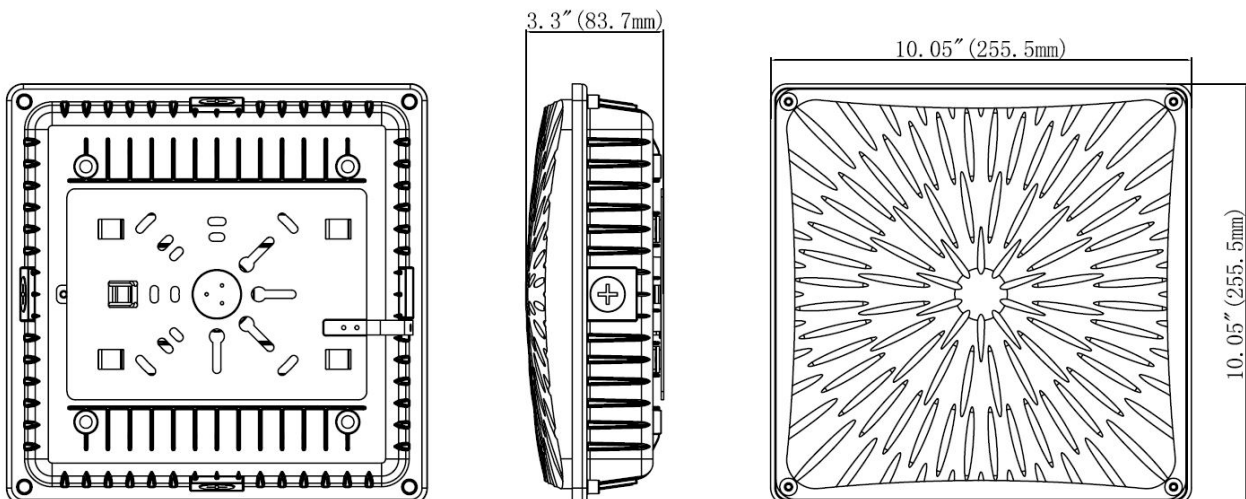
Structure Features:

- Shell Material: Alloy/PC
- Color: Dark Bronze
- Weight: 7.7 lbs.

MODEL #	
PROJECT:	
NOTES:	
DATE:	
PREPARED BY:	

PRODUCT APPLICATIONS:

1000LED Flood Lighting series can be widely used in Canopies, Entryways, Exterior Ceilings, Security Lighting and Parking Garages

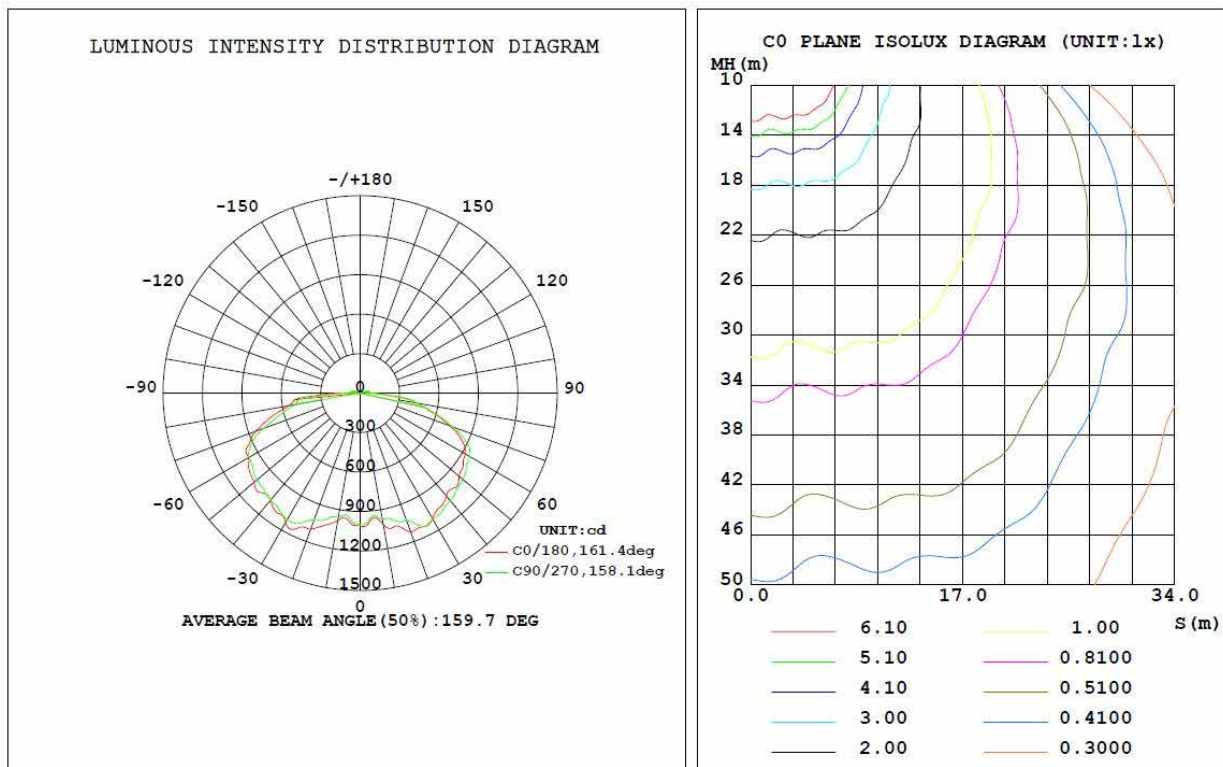


LED CANOPY LIGHT

TECHNICAL PARAMETERS:

Type	1L-CP45W27-XXK-Z-M		
Power	45W	Lighting Angle	150°
Input Voltage	AC120-277V	LED Brightness Decay	<5%/6000 hrs
PF	>0.95	Working Life	>50000 hrs
Driver Efficiency	>90%	Working Temperature	-30 - +45°C
Luminous Flux	5300 Lm	Storage Temperature	-40 -+80°C
Color Temperature	3000K/4000K/5000K/5700K	Protection Level	Wet Location/IP65
CRI	Ra>80	Cable	Input Connect, No Cable

LIGHT DISTRIBUTION CURVE (CLEAR LENS)



LED CANOPY LIGHT

ORDERING INFORMATION:

EXAMPLE: 1L-CP 45W 27-XXK-D-M

1L	CP	45W	27	50K	D	M
Company	Product	Power	Voltage	ColorTemp	Finish	Control
1000LED	CP Canopy	45W (45W) 65W (65W)	27 AC120-277V	30K (3000K) 40K (4000K) 50K (5000K) 57K (5700K) ± 500K	D Dark Bronze	10V Dimming 1-10V M Motion Sensor

PRODUCT CERTIFICATIONS:

