

## 720W LED GROW LIGHT



2.48  
μmol/J

### FEATURES

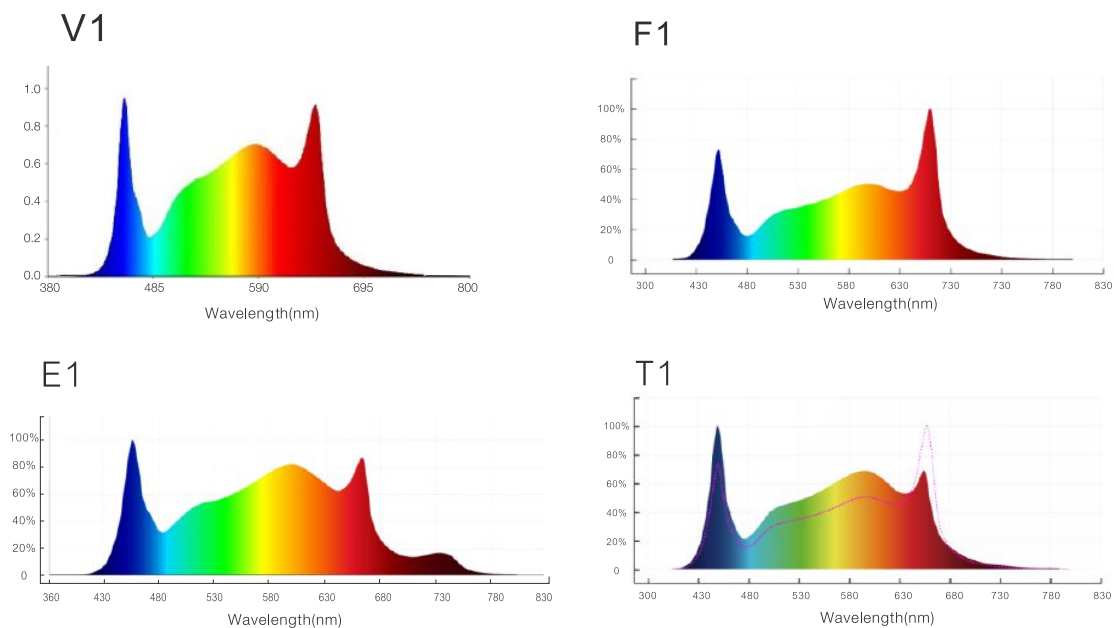
Solution	PPF	AC Power	Light Source	Efficacy
MB2-720W27-V1-XX	1763μmol/s	720 W	Samsung/OSRAM	2.48μmol/J

1. Full spectrum with enhanced red for full cycle grows.
2. Efficacy is up to 2.48 μmol/J.
3. Easy to install, just plug and play.
4. Using Samsung White chip & Osram Red Chip.

### SPECIFICATIONS

Weight	26.46lbs/ 12kg
Spectrum	V1 F1 E1 T1
AC Input Voltage	120-277VAC, 347-480VAC, 50/60Hz
Light Output PPF	1763μmol/s
Efficacy	2.48 μmol/J @ 277 AC
AC Input Power	720W @ 277V AC
Mounting Height	≥6" (15.2cm) Above Canopy
Thermal Management	Passive
Max. Ambient Temperature	95°F/35°C
Dimming	0-10V Dimmable
Total Harmonic Distortion (THD)	<15%
Warranty	5 Years Standard Warranty
BTUs	2160 BTU/hrs

## SPECTRA

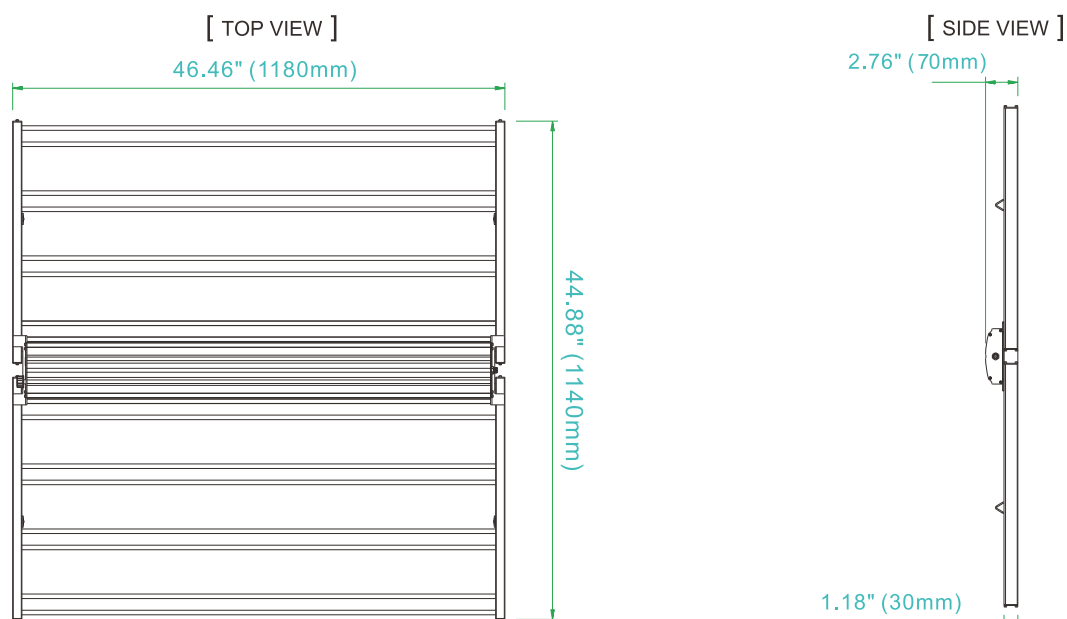


## ELECTRICAL PARAMETERS

Model	MB2-720W27-V1-XX						
AC VOLTAGE	120V	208V	230V	277V	347V	400V	480V
PowerFactor	0.98	0.95	0.94	0.93	0.93	0.92	0.9
AC Current	6.12A	3.64A	3.33A	2.73A	2.23A	1.96A	1.67A
AC Power	720W ± 10%						

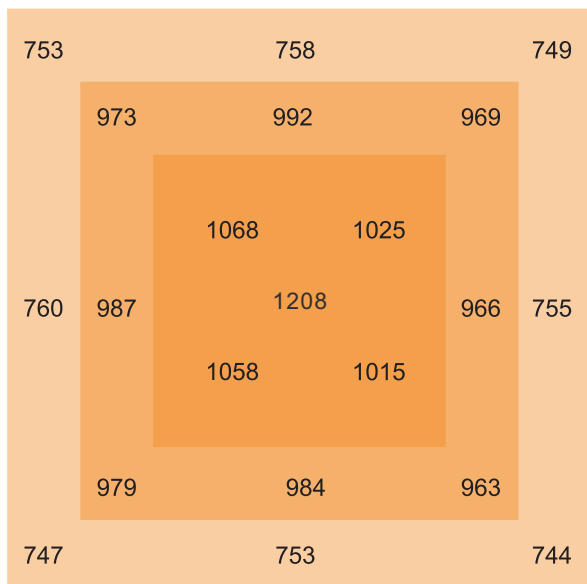
\* At 77°F (25°C) ambient temperature

## DIMENSIONS



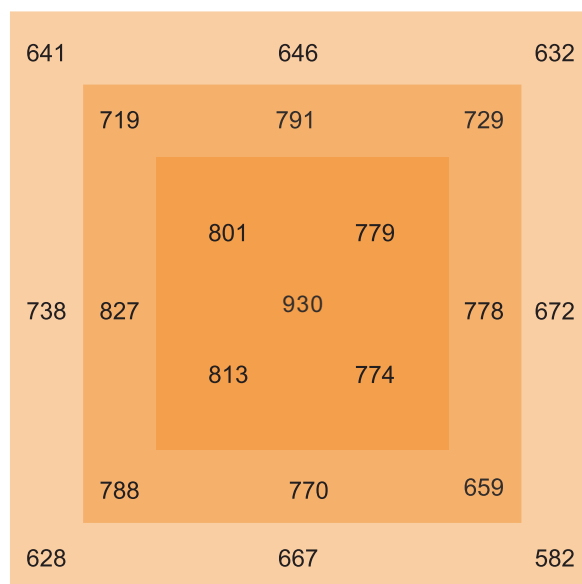
## PPFD DISTRIBUTION

1.2M X 1.2M/ 4FT X 4FT



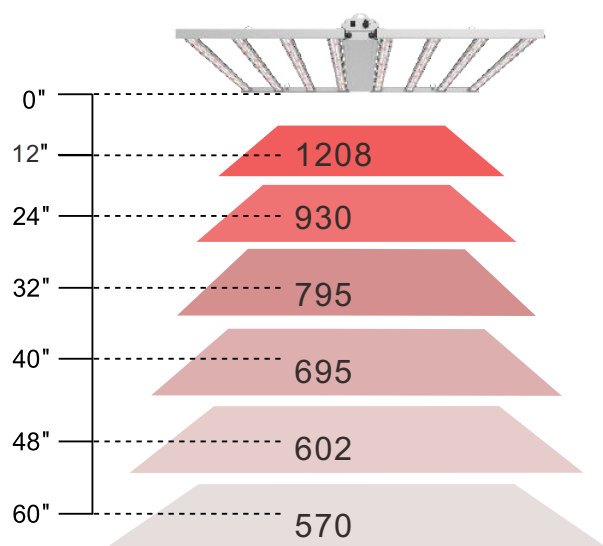
MB2 720 W2.48μmol/J  
12" / 305mm Height

1.2M X 1.2M/ 4FT X 4FT



MB2 720 W2.48μmol/J  
24" / 609mm Height

## PAR VALUE (μmol/m<sup>2</sup>/s)



MB2 720W2.48μmol/J

## LED GROW LIGHT INSTRUCTIONS

### Matters needing attention:

To users:thank you for purchasing our products!  
Please read carefully before use,please keep this manual for reference!

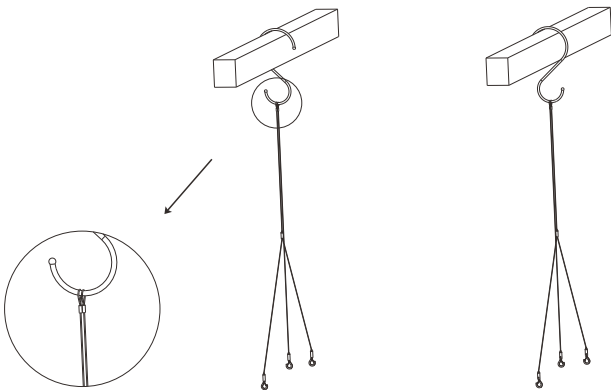
In order to ensure safe construction,please confirm the following important matters before each work begins:

- 1.Risk of fire or electric shock: turn off power before installing.
- 2.Always use product within Safe Working Load.
- 3.Designed for statically positioned hanging.Do not use for liftung or with dynamic positioning.
- 4.Do not walk or stand on product.
- 5.Always use manufacturer supplied and specified cables. Never use uncoated cables.
- 6.Do not apply oil or any other lubricant to the fastener or any other part of the cable assembly.

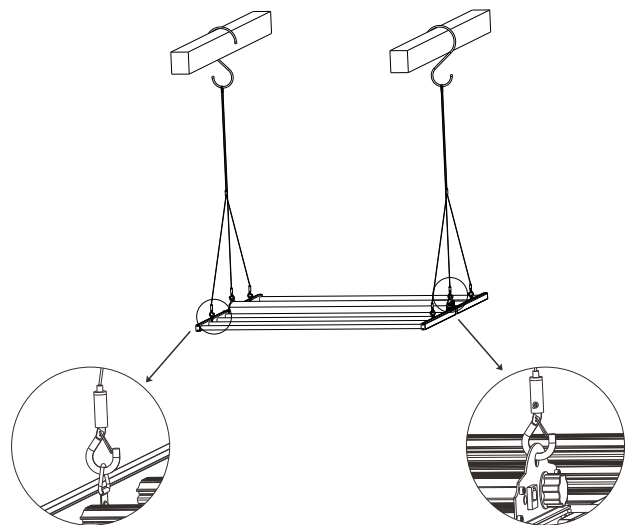
### Installation steps:

❗ The osram red chips are fragile, please do not touch!

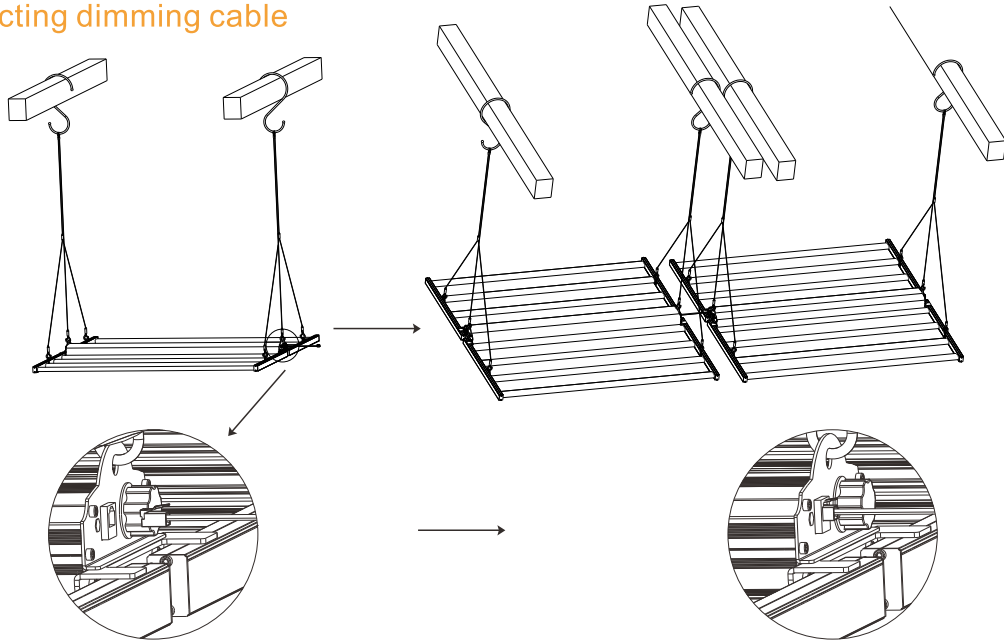
#### ① Install the string on the beam



#### ② Assembled light

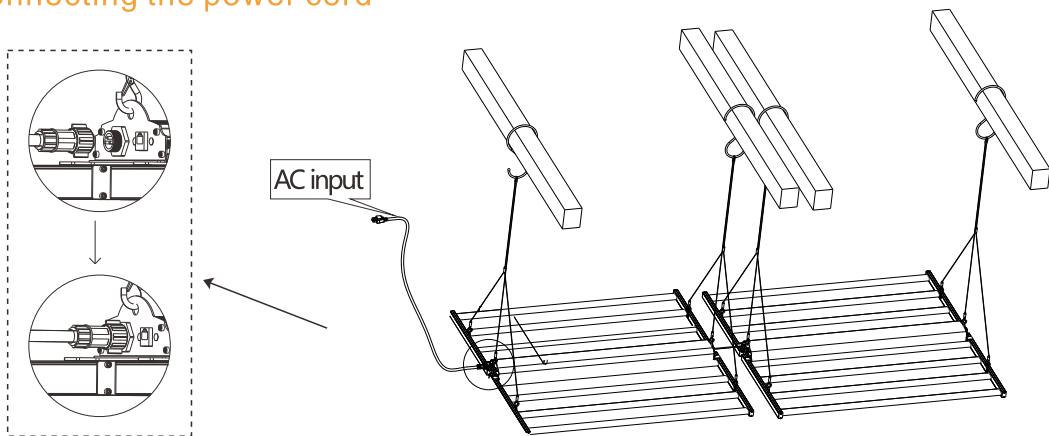


### 3 Connecting dimming cable



The connections of the second light refers to the first light

### 4 Connecting the power cord



### 5 All set

