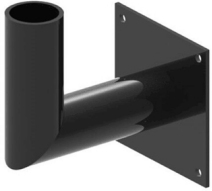
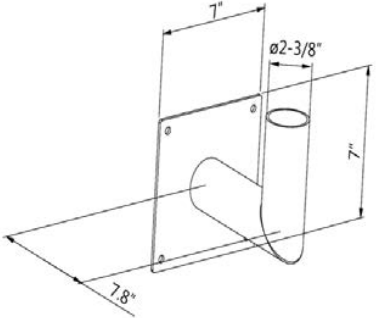

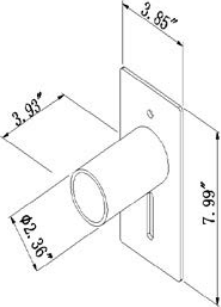


INSTALLATION PARTS

| 90° WALL MOUNT | PART NUMBER | SPECS |
|---|------------------------------|---|
|  | <p>1L-ADP2.5-90-D</p> |  |
| SLIP FITTER ADAPTER | PART NUMBER | SPECS |
|  | <p>1L-ADP2.5-D</p> |  |

ORDERING INFORMATION

Example: **1L-ADP2.5-D**

1L-ADP2.5-90-D

| 1L | Series | Fixtures Tenon Type | Finish |
|----------------|------------------------------|--------------------------|----------------------|
| 1000LED | ADP2.5=Adaptor 2-3/8" | 90=Wall Mount 90° | D=Dark bronze |
| | | | W=White |
| | | | S=Silver Gray |