

LED SHOEBOX LIGHT



PRODUCT FEATURES:

- ❖ Optical design, greatly improved the light utilization and evenness
- ❖ High efficiency LED Driver, voltage AC120-277/200-480V ;
- ❖ Cast Aluminum design, better cooling, light quality, LED Tj < 85°C.
- ❖ Photocell Control & Motion Sensor (Optional)
- ❖ 1-10V dimming (10%-100%) standard

Additional Information:

- Power: 300W
- Input: AC 120-277V
- CCT : 5000K
- Output: 45000 LM
- Light Source: LUMILEDS
- Driver: SOSEN POWER

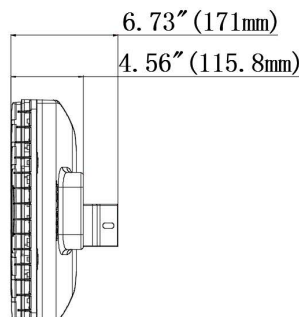
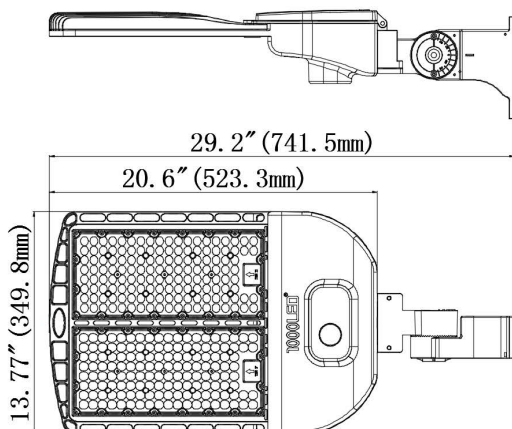


MODEL #	
PROJECT:	
NOTES:	
DATE:	
PREPARED BY:	



PRODUCT APPLICATIONS:

The 1000LED SHOEBOX LED Lighting Series can be widely used for Parking Lots, Pedestrian Walkways, Roadways, Tennis Courts, Basketball Courts, Stadiums, Arenas, Schools, Residential Areas and many other applications



Structure Features:

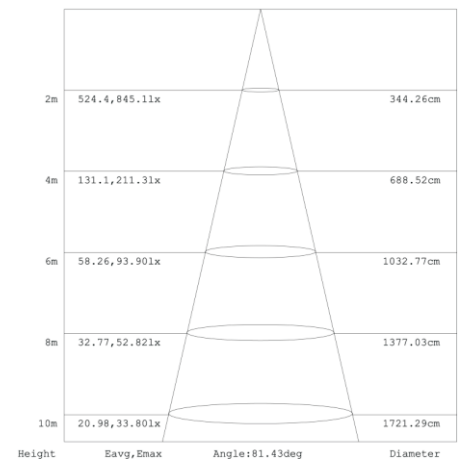
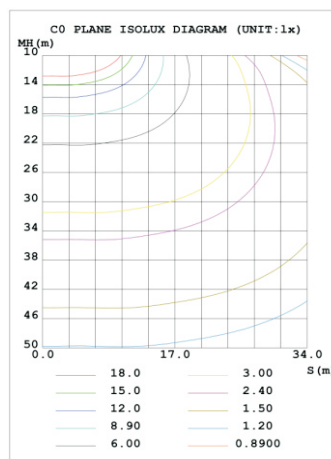
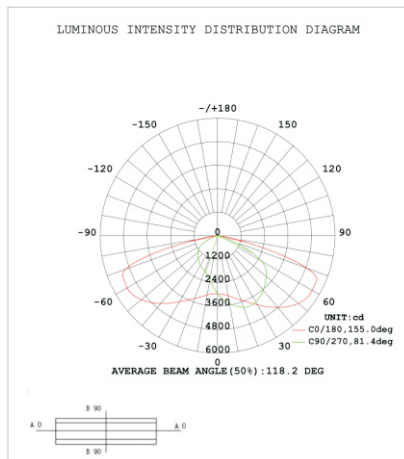
- Shell Materials: Aluminum & PC
- Finish: Dark Bronze/White/Black/Silver
- Net Weight: 7.5KG (16.5 LBS)
- Product Size: 741mm*349mm*171mm
- Carton Size: 625mm*445mm*190mm

LED SHOEBOX LIGHT

TECHNICAL PARAMETERS:

Type	1L-30WSB27-XXK-D-TN-U-M-P		
Power	300W	Lighting Angle	Type II, Type III, Type IV, Type V
Input Voltage	AC120-277V AC200-480V	LED Brightness Decay	<5%/6000 hrs
PF	>0.95	Working Life	>75000 hrs
Driver Efficiency	>90%	Working Temperature	-30 - +45°C
Luminous Flux	45000 Lm	Storage Temperature	-40 - +80°C
Color Temperature	4000K/5000K	Protection Level	Wet Location/IP66
CRI	Ra>70	Cable	Input Connect (0.5m)

IRRADIATION AREA: Photometry & Type V


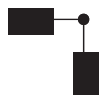


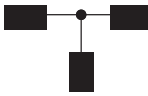
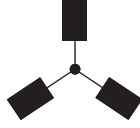



ORDERING EXAMPLE: 1L-30WSB27-XXK-Z-TN-U-M-P

Company	SB	30W	27	XXK	Z	TN	U	M	P
1L	Product	Power	Voltage	ColorTemp	FINISH	IES	Mounting Mean	Control	Control
1000LED	SB Shoebox Light	10W(100W) 15W(150W) 20W(200W) 30W(300W)	27 AC120-277V 48 AC200-480V	40K (4000K) 50K (5000K) ± 500K	D Dark Bronze W White	T2 (Type II) T3 (Type III) T4 (Type IV) T5 (Type V)	S Slip fitter T Trunnion A Arm	M Motion Sensor	P 120-277V Photocell

LED SHOEBOX LIGHT

EPA OF AREA LIGHT

Item							
	1	2 @90°	2 @120°	2@180°	3 @90°	3 @120°	4 @90°
100W	0.3413	0.5929	0.7983	0.6826	1.0239	1.0499	1.0239
150W	0.423	0.735	0.873	0.846	1.158	1.185	1.158
200W	0.4759	0.7889	1.0581	0.9518	1.2648	1.3711	1.2648
300W	0.4959	0.7992	1.4759	1.0759	1.4759	1.6759	1.5759

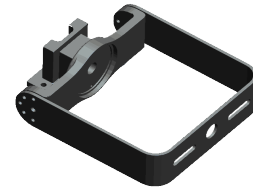
MOUNTING OPTIONS



Arm Mount 4p and 5p Square and Round poles) Standard versatile mounting arm is simple to install and can be used with existing poles for retro t installations.

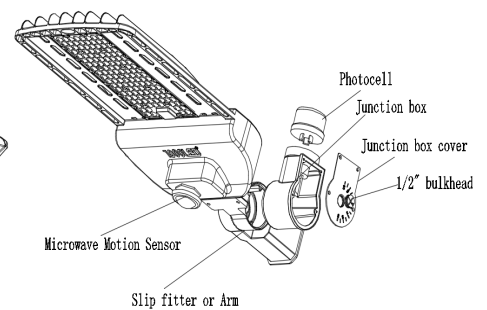
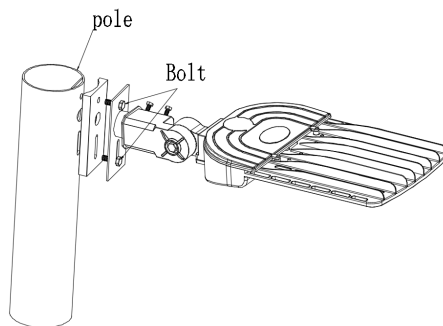
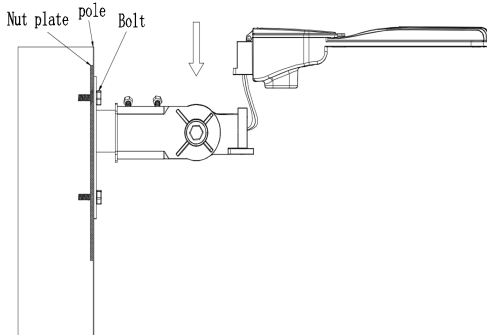


Slipfitter Mount An optional cast aluminum mast arm adapter secures fixture head to nominal 2"(2-3/8"O.D. pipe size) horizontal steel tenon arm.



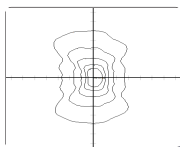
Wall Mount Wall Mount is easy to install for direct wall mounting with 1/2" conduit wiring mounting

MOUNTING DIMENSIONS

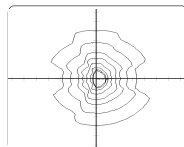


PHOTOMETRICS

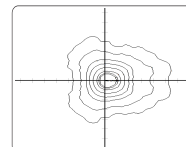
Type 2:
Type 2 optics produce a symmetrical pattern that evenly shines light on both sides of the lamp. In a back-to-back configuration, it creates a rectangular pattern.



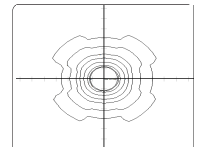
Type 3:
Type 3 optics produce an asymmetrical pattern that directs the majority of the light forward and equally on both sides of the luminaire. In a back-to-back configuration, it creates a rectangular pattern



Type 4:
Type 4 is suitable for applications where light is primarily required forward with minimal backlight. Typical installations include perimeter poles.



Type 5:
Type 5 optics produce a symmetrical square distribution pattern that distributes light equally on all sides of the luminaire. Type 5 luminaires is universal for most area lighting applications



LED SHOEBOX LIGHT

POLE BRACKET

- For mounting one fixture on an existing pole

	<p>4" Square Pole Mount with 2-3/8" O.D. Tenon No. 1L-VTS4-D Finish: Dark Bronze USE: For use with square, non-tapered steel and aluminum poles. Furnished with four 5/16" hex head stainless-steel bolts. Vertical tenon measures 2-3/8" O.D., and is made of steel tubing. Fixtures mounted to this bracket can be adjusted both vertically and horizontally.</p>		<p>3" Round Pole Mount with 2-3/8" O.D. Tenon NO. 1L-VT3-D Finish: Dark Bronze USE: For use with Round, non-tapered steel and aluminum poles. Furnished with three 3/8" hex head stainless-steel bolts. Vertical tenon measures 2-3/8" O.D., and is made of steel tubing. Fixtures mounted to this bracket can be adjusted both vertically and horizontally.</p>
	<p>5" Square Pole Mount with 2-3/8" O.D. Tenon No. 1L-VTS5-D Finish: Dark Bronze USE: For use with square, non-tapered steel and aluminum poles. Furnished with four 5/16" hex head stainless-steel bolts. Vertical tenon measures 2-3/8" O.D., and is made of steel tubing. Fixtures mounted to this bracket can be adjusted both vertically and horizontally.</p>		<p>4" Round Pole Mount with 2-3/8" O.D. Tenon NO. 1L-VT4-D Finish: Dark Bronze USE: For use with Round, non-tapered steel and aluminum poles. Furnished with three 3/8" hex head stainless-steel bolts. Vertical tenon measures 2-3/8" O.D., and is made of steel tubing. Fixtures mounted to this bracket can be adjusted both vertically and horizontally.</p>

WALL BRACKET

- Attaches to any flat surface
- Provides wiring access

MID-POLE TENON BRACKET







	<p>90° Wall Mount Bracket with 2-3/8" O.D. Tenon NO. 1L-ADP2.5-90-D Finish: Dark Bronze USE: The 90° wall mount bracket with 2-3/8" tenon attaches an MESTER floodlight to almost any surface: wall, roof, or wood pole. Provides wiring access and abuilt-in 2-3/8" O.D. tenon to mount a fixture with our adjustable slipfitter. Suggested 3/8" diameter bolts for mounting. Mounting holes are spaced 3-1/4" apart.</p>		<p>2-3/8" OD Horizontal Tenon Mid-Pole Bracket NO. 1L-ADP2.5-D Finish: Dark Bronze USE: 2-3/8" OD Horizontal Tenon Mid-Pole Bracket is designed to mount light fixture that is equipped with a adjustable slipfitter onto a 2-3/8" OD horizontal tenon</p>
--	--	--	--

ROUND EXTERNAL MOUNT HORIZONTAL TENON · To mount 2/3/4 fixtures on an existing pole

	<p>Double 90° Horizontal Tenon Adaptor NO. 1L-SB2.5TW90-D Finish: Dark Bronze USE: The Bracket is designed to mount over 2-3/8" (60mm) O.D. vertical tenon. Two fixtures can be mounted to the Round External Mount Horizontal Tenon and adjusted horizontally</p>		<p>Triple 120° Horizontal Tenon Adaptor NO. 1L-SB2.5TR120-D Finish: Dark Bronze USE: The Bracket is designed to mount over 2-3/8" (60mm) O.D. vertical tenon. Three fixtures can be mounted to the Round External Mount Horizontal Tenon and adjusted horizontally</p>
	<p>Double 180° Horizontal Tenon Adaptor NO. 1L-SB2.5TW180-D Finish: Dark Bronze USE: The Bracket is designed to mount over 2-3/8" (60mm) O.D. vertical tenon. Two fixtures can be mounted to the Round External Mount Horizontal Tenon and adjusted horizontally</p>		<p>Quad 90° Horizontal Tenon Adaptor NO. 1L-SB2.5QD90-D Finish: Dark Bronze USE: The Bracket is designed to mount over 2-3/8" (60mm) O.D. vertical tenon. Four fixtures can be mounted to the Round External Mount Horizontal Tenon and adjusted horizontally</p>
	<p>Single Spoke Bracket Tenon Adaptor NO. 1L-SB2.5S-D Finish: Dark Bronze USE: The Bracket is designed to mount over 2-3/8" (60mm) O.D. vertical tenon. Three fixtures can be mounted to the Round External Mount Horizontal Tenon and adjusted horizontally</p>		<p>Double 180° Horizontal Tenon Adaptor NO. 1L-RB2.5D180-D Finish: Dark Bronze USE: The Bracket is designed to mount over 2-3/8" (60mm) O.D. vertical tenon. Three fixtures can be mounted to the Round External Mount Horizontal Tenon and adjusted horizontally</p>
	<p>Triple 180° Horizontal Tenon Adaptor NO. 1L-RB2.5TR180-D Finish: Dark Bronze USE: The Bracket is designed to mount over 2-3/8" (60mm) O.D. vertical tenon. Three fixtures can be mounted to the Round External Mount Horizontal Tenon and adjusted horizontally</p>		<p>Triple 90° Horizontal Tenon Adaptor NO. 1L-RB2.5D90-D Finish: Dark Bronze USE: The Bracket is designed to mount over 2-3/8" (60mm) O.D. vertical tenon. Three fixtures can be mounted to the Round External Mount Horizontal Tenon and adjusted horizontally</p>
	<p>Slip Fitter Square tube turn tube Tenon Adaptor NO. 1L-SADP-BAR Finish: Dark Bronze USE: For square tube light bar installation, with slip Fitter installation of lamps.</p>		<p>Arm Square tube turn tube Tenon Adaptor NO. 1L-ARM-BAR Finish: Dark Bronze USE: square tube light bar installation, with Arm installation of lamps.</p>

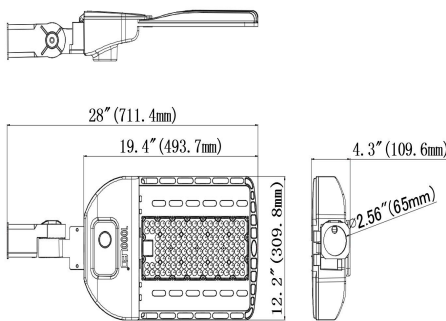
LED SHOEBOX LIGHT

PHOTOCELL & MOTION SENSORS

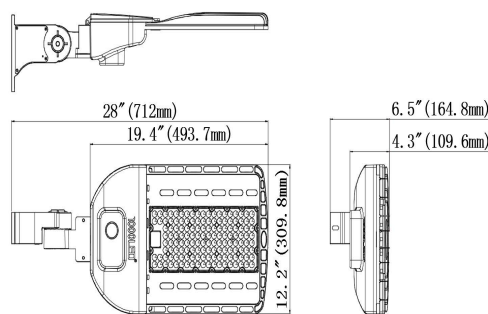
	<p>Photocell No. LC-10DT Finish: Blue USE: Used for indoor or outdoor LED lamps, working with light sensing principle, the LC-10DT sensor (LC-10DT for 120-277V) is used for Light sensor</p>		<p>SPECIFICATIONS AND CHARACTERISTICS:</p> <ul style="list-style-type: none"> • UL Listed. Reference No.: E178670 Volts & Cover Color • Blue standard for 120-277VAC • Turn-ON Light Level: 10-16 Lux • Turn ON/OFF Ratio: 1:3 to 4 • Time Delay: 3-15 sec • Operating Temperature: -40°C to +70°C • Relay: 15A • MOV Surge Protection: 90J, 160J, 320J, 360J (4 options) • Energy Consumption: Less than 1Watt (120V<0.5W) • Electrical Life: >5000 cycles • Sensor Type: Silicon Photocell • Housing: UV stabilized PC • Failure Mode: Fail ON (standard), Fail OFF (for your option)
	<p>Motion Sensor No. BRI816 Finish: White USE: The BRI816 mounts in an outdoor lighting fixture and provides multi-level control based on motion. The sensor also includes a photocell to measure the ambient light level. It controls 0-10 VDC LED drivers, is rated for wet and cold locations. All control parameters are adjustable via a wireless configuration tool capable of storing and transmitting sensor profiles.</p>	 <p>BRI816 RC-100</p>	<p>Motion Sensor No. BRI816 Finish: White The BRI816 mounts in an outdoor lighting fixture and provides multi-level control based on motion and/or daylight contribution. It controls 0-10 VDC LED drivers or dimming ballasts, and is rated for wet and cold locations.</p>
	<p>Lamp Controller</p> <ul style="list-style-type: none"> ■ Standard Nema Socket: Plug and Play ■ Comprehensive critical electrical parameters monitoring, A, V, Wh, W, Hz ■ Water Proof IP65 protection grade 		<p>LoRa Gateway</p> <ul style="list-style-type: none"> ■ High capacity: up to 1000 street lights by one gateway ■ Beaconing: periodically synchronizes the GPS time of all end devices, facilitating scheduled access and flawless operation of the LoRaWAN™ ■ Robust weather-proof design: IP67 protection grade

PRODUCT DIMENSIONS (unit: inch/mm)

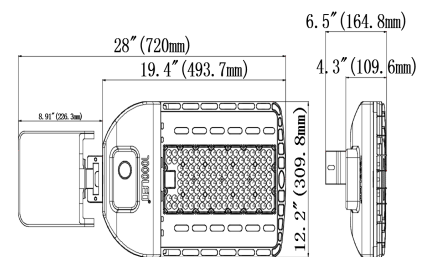
100W/150W/200W (Slipfitter Mount)



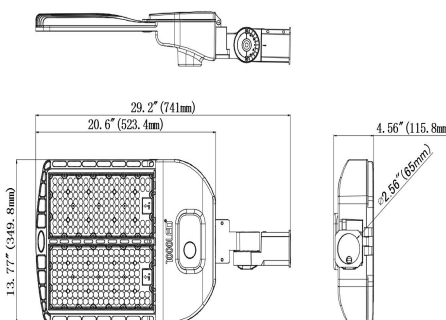
100W/150W/200W (Arm Mount)



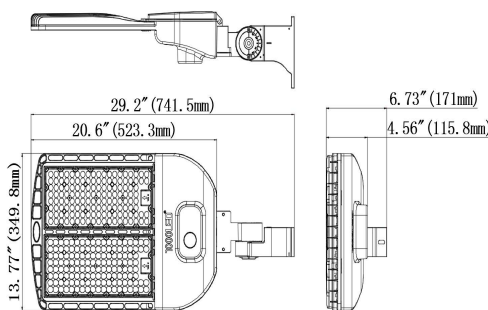
100W/150W/200W (Wall Mount)



300W (Slipfitter Mount)



300W (Arm Mount)



300W (Wall Mount)

