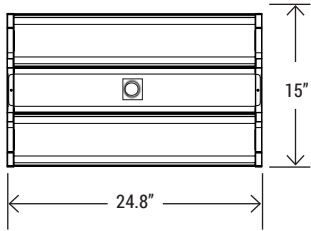
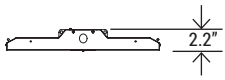
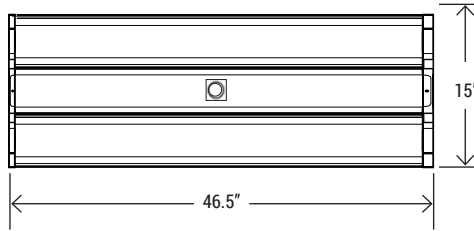
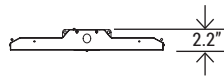


Wattage: 85W / 130W / 170W / 255W / 300W

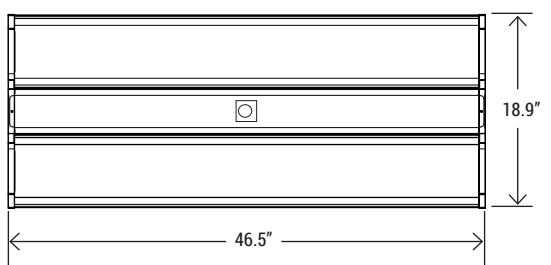
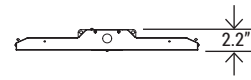
DIMENSION



WATTAGE	85W, 130W, 170W
GR. WEIGHT	10.36 lbs/11.24 lbs
BOX DIM.	25.9" x 15.4" x 2.6"



WATTAGE	255W
GR. WEIGHT	17.9 lbs
BOX DIM.	47.6" x 15.4" x 2.6"



WATTAGE	300W
GR. WEIGHT	19.84 lbs
BOX DIM.	47.6" x 19.3" x 2.6"

EMERGENCY BACK-UP (SOLD SEPARATELY)



BLD-CM20N-480800-15W
15W Emergency Backup Battery LED Driver



BLD-CM20D-480800-20W
20W Emergency Backup Battery LED Driver

CONTROL (SOLD SEPARATELY)



MOTION SENSOR
Bi-level Occupancy/Daylight Harvesting Microwave Motion Sensor (Field installation)



RC
Remote Controller

47)73347243 EXAMPLE:

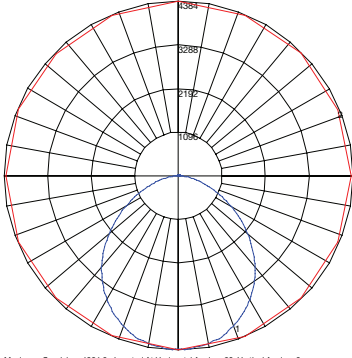
LHB-2 130W- 27-50K- E 2

1	2	130W	27	50K	E 2
549	8.	99	419	9	59
1 (Linear High Bay)	2 (2-foot) 4 (4-foot)	85W - (85W) 130W - (130W) 170W - (170W) 255W - (255W) 300W - (300W)	27 (AC120-277V)	35K - (3500K) 40K - (4000K) 50K - (5000K)	e on generation ro t

Wattage: 85W / 130W / 170W / 255W / 300W

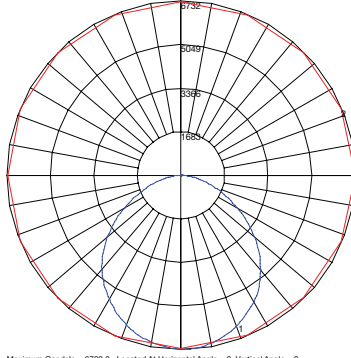
PHOTOMETRICS

LHB2F85W27-50K-GEN2



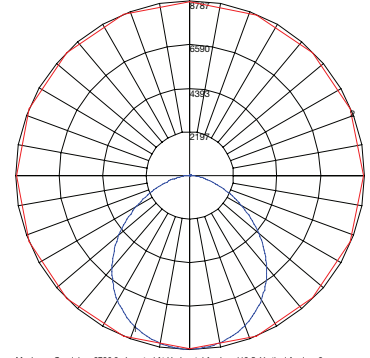
Maximum Candela = 4384.3 Located At Horizontal Angle = 90, Vertical Angle = 2
 # 1 - Vertical Plane Through Horizontal Angles (90 - 270) (Through Max. Cd.)
 # 2 - Horizontal Cone Through Vertical Angle (2) (Through Max. Cd.)

LHB2F130W27-50K-GEN2



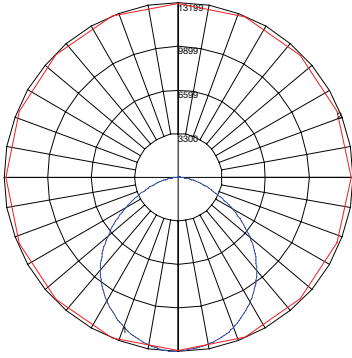
Maximum Candela = 6732.3 Located At Horizontal Angle = 0, Vertical Angle = 2
 # 1 - Vertical Plane Through Horizontal Angles (0 - 180) (Through Max. Cd.)
 # 2 - Horizontal Cone Through Vertical Angle (2) (Through Max. Cd.)

LHB2F170W27-50K-GEN2



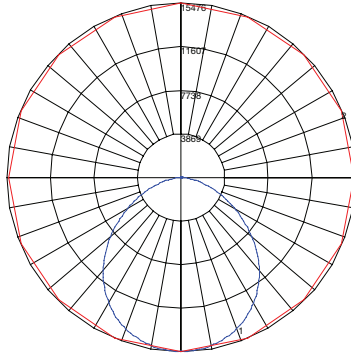
Maximum Candela = 8786.9 Located At Horizontal Angle = 112.5, Vertical Angle = 2
 # 1 - Vertical Plane Through Horizontal Angles (112.5 - 292.5) (Through Max. Cd.)
 # 2 - Horizontal Cone Through Vertical Angle (2) (Through Max. Cd.)

LHB4F255W27-50K-GEN2



Maximum Candela = 13198.8 Located At Horizontal Angle = 112.5, Vertical Angle = 2
 # 1 - Vertical Plane Through Horizontal Angles (112.5 - 292.5) (Through Max. Cd.)
 # 2 - Horizontal Cone Through Vertical Angle (2) (Through Max. Cd.)

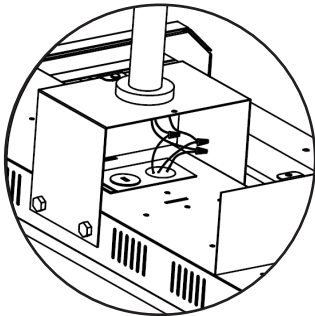
LHB4F300W27-50K-GEN2



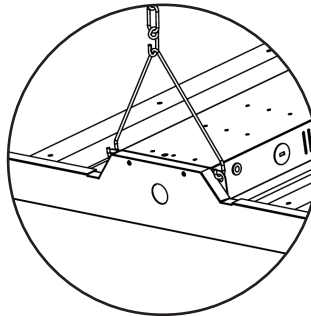
Maximum Candela = 15476.2 Located At Horizontal Angle = 90, Vertical Angle = 2
 # 1 - Vertical Plane Through Horizontal Angles (90 - 270) (Through Max. Cd.)
 # 2 - Horizontal Cone Through Vertical Angle (2) (Through Max. Cd.)

MOUNTING OPTION

INCLUDED IN THE PACKAGE



J-BOX OPTION



CHAINS/HOOK