



WARNING

PLEASE READ ALL INSTRUCTIONS BEFORE ATTEMPTING INSTALLATION

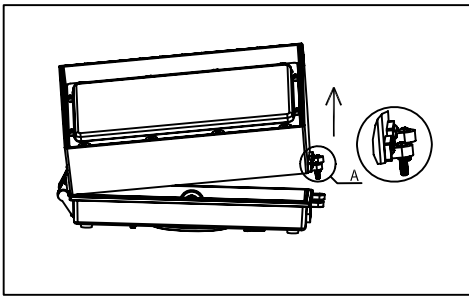
- To prevent personal injury or product damage only licensed electricians should install.
- To avoid electric shock or component damage disconnect power before attempting installation or servicing.
- This product must be installed in accordance with the national electric code (NEC) and all applicable federal, state and local electric codes and safety standards.
- Disconnect product and allow cooling prior to servicing.
- Any alteration or modification of this product is expressly forbidden as it may cause serious personal injury, death, property damage and/or product malfunction.
- To prevent product malfunction and/or electrical shock this product must be properly grounded.
- This luminaire is designed to operate in ambient temperatures ranging from -30°C to 45°C and to be horizontally mounted with the LEDs facing down.
- Wall mount only.

1. Unpacking

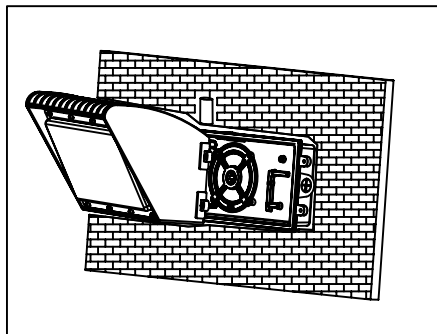
Thoroughly inspect the fixture for freight damage. Freight damage should be reported to the delivery carrier.

2. Installation

- 1) . Take off the screw of the heat sink and take off the front lid carefully from the back.
The angle between the front cap and the back cap should be 0-45 degrees.



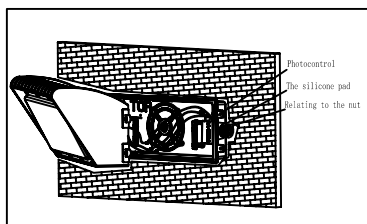
- 3). Connect wire A with wire C (The black one is L, white one is N, and the yellow one is ground wire), installing the front cap .



3. Installation of the photocell

Photocell input voltage range 120V or 277V, 60HZ.

- 1). Pick a $\frac{1}{2}$ " cap of either side of the product and install the photocell according to the picture.

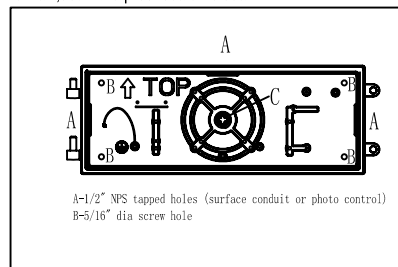


4. Checking

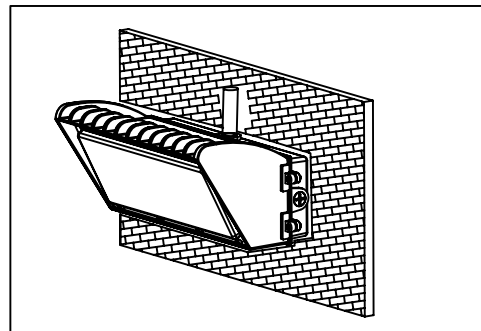
- 1). Does all the wires connected in a correct way as the pictures below show?
- 2). Is the ground lead installed appropriately?
- 3). make sure the photocell function well.

- 2) . A: After determining a place to put a conductor, take off the $\frac{1}{2}$ " cap and make a hole according to the example (B). Fix it on the wall with an appropriate screw. (Please use glue to block the hole to prevent water leakage.)

- 2) . B: When installing the junction box, take off the $\frac{1}{2}$ " cap of the C wire in the middle. This product supports standard 3 $\frac{1}{4}$ " and 4" junction box. After installing the back cap on the wall ,use waterproof sealer to seal it.



- 4). Make sure all wires are connected correctly, and lock up with the screw.



- 2). complete the photocell system after installing the photocell.

